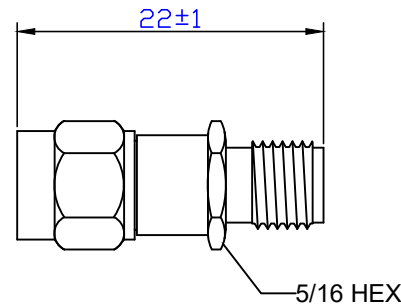


REVISIONS

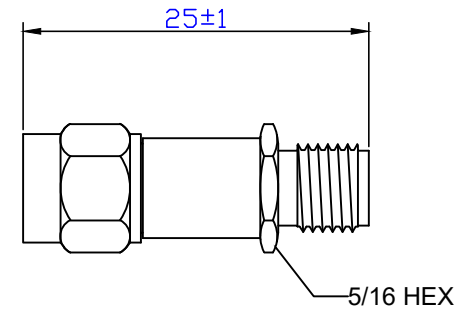
LTR	DESCRIPTION	DATE	DCN NO.
A	RELEASE TO MFG.	4/9/18	180409001

NOTES

- Material & Finishing
 Body: Stainless Steel TYPE 303, Passivate
 Center Conductor : Beryllium Copper Gold Plating
- Electrical Data:
 Impedance: 50 Ohms
 Frequency: DC~6GHz
 VSWR
 DC~6GHz-----1.25Max.
 Attenuation Accuracy:
 0~10dB ----- ±0.5dB
 20,30dB ----- ±0.7dB
 40dB ----- ±1.0dB
 Input Power-----2 Watts Avg. @ 25°C
- Mechanical Data
 Durability: 500 Cycle Min.
- Environment Data
 Temperature Range: -40~+125 Deg.C
 All materials are RoHS compliance



0-12, 15dB



20,30,40dB

CUSTOMER OUTLINE DRAWING

ALL OTHER SHEETS ARE FOR INTERNAL USE ONLY

<p><u>PROPRIETARY NOTICE</u></p> <p>THE INFORMATION CONTAINED IN THIS DRAWING IS PROPRIETARY AND SHALL NOT BE USED OR DISCLOSED WITHOUT THE PRIOR WRITTEN PERMISSION OF RFCONNECTOR.COM.CN</p>	<p>UNLESS OTHERWISE SPECIFIED DIMENSIONS ARE IN METRIC TOLERANCES</p> <p>DECIMAL ANGULAR</p> <p>.X ± .1 ±</p> <p>.XX ± .05</p> <p>DO NOT SCALE DRAWING</p>	DRAWN		TITLE:	<p>RFCONNECTOR WWW.RFCONNECTOR.COM.CN 射频连接器</p>	
		CHECKED		SMA MALE TO FEMALE		
		ENGINEERING		ATTENUATOR, 2 Watt, 6GHz		
		MANUFACTURING		DRAWING NO. ATT-6-SMA-XX	REV.	A01
		QUALITY		SCALE: 4:1	WIGHT(gr):	SHEET OF