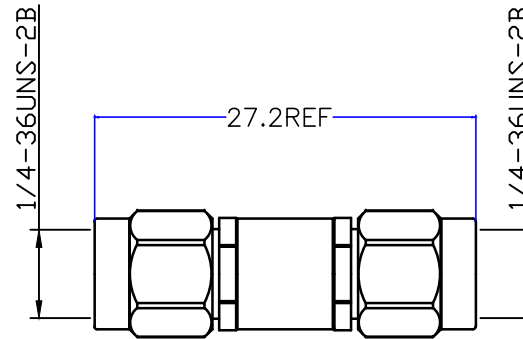


NOTES


- 1. Material & Finishing
  - Body: Stainless Steel TYPE 303, Passivate
  - Insulators: PTFE
  - Center Conductor : Beryllium Copper Gold Plating
- 2. Electrical Data:
  - Impedance: 50 Ohms
  - Frequency: DC~40GHz
  - VSWR 1.30Max.
  - Withstanding Voltage: 100 Vrms
- 3. Mechanical Data
  - Durability: 500 Cycle Min.
- 4. Environment Data
  - Temperature Range: -40~+125 Deg.C
  - All materials are RoHS compliance

REVISIONS			
LTR	DESCRIPTION	DATE	DCN NO.
A	RELEASE TO MFG.	10/12/05	051012001



**CUSTOMER OUTLINE DRAWING**

ALL OTHER SHEETS ARE FOR INTERNAL USE ONLY

<p><u>PROPRIETARY NOTICE</u></p> <p>THE INFORMATION CONTAINED IN THIS DRAWING IS PROPRIETARY AND SHALL NOT BE USED OR DISCLOSED WITHOUT THE PRIOR WRITTEN PERMISSION OF RFCONNECTOR.COM.CN</p>	<p>UNLESS OTHERWISE SPECIFIED DIMENSIONS ARE IN METRIC TOLERANCES</p> <p>DECIMAL            ANGULAR</p> <p>.X ± .1                ±</p> <p>.XX ± .05</p> <p>DO NOT SCALE DRAWING</p>	DRAWN		TITLE:	2.92mm Male to Male Adapter	
		CHECKED				
		ENGINEERING		DRAWING NO. ADA-29-MM-40	REV.	A01
		MANUFACTURING			SCALE: 4:1	WIGHT(gr):
		QUALITY				