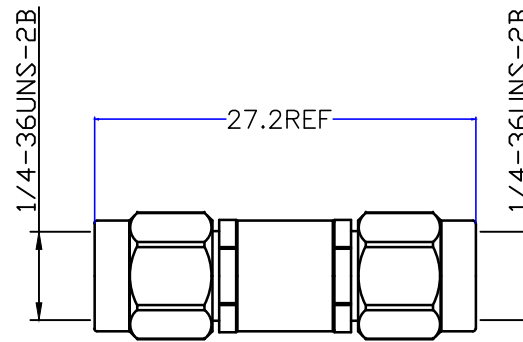


NOTES


- 1. Material & Finishing
 - Body: Stainless Steel TYPE 303, Passivate
 - Insulators: PTFE
 - Center Conductor : Beryllium Copper Gold Plating
- 2. Electrical Data:
 - Impedance: 50 Ohms
 - Frequency: DC~33GHz
 - VSWR 1.30Max.
 - Withstanding Voltage: 100 Vrms
- 3. Mechanical Data
 - Durability: 500 Cycle Min.
- 4. Environment Data
 - Temperature Range: -40~+125 Deg.C
 - All materials are RoHS compliance

REVISIONS			
LTR	DESCRIPTION	DATE	DCN NO.
A	RELEASE TO MFG.	10/18/05	051018001



CUSTOMER OUTLINE DRAWING

ALL OTHER SHEETS ARE FOR INTERNAL USE ONLY

<p><u>PROPRIETARY NOTICE</u></p> <p>THE INFORMATION CONTAINED IN THIS DRAWING IS PROPRIETARY AND SHALL NOT BE USED OR DISCLOSED WITHOUT THE PRIOR WRITTEN PERMISSION OF RFCONNECTOR.COM.CN</p>	<p>UNLESS OTHERWISE SPECIFIED DIMENSIONS ARE IN METRIC TOLERANCES</p> <p>DECIMAL ANGULAR</p> <p>.X ± .1 ±</p> <p>.XX ± .05</p> <p>DO NOT SCALE DRAWING</p>	DRAWN		TITLE:	3.5mm Male to Male Adapter	
		CHECKED				
		ENGINEERING		DRAWING NO. ADA-35-MM-33	REV.	A01
		MANUFACTURING			SCALE: 4:1	WIGHT(gr):
		QUALITY				